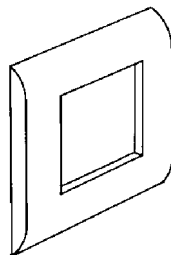


**Mosaic plates**
**Cat. No(s):** 750 02 to 42 - 751 02 to 73  
 752 02 to 73 - 753 02 to 73

Date: 21.04.98

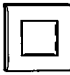





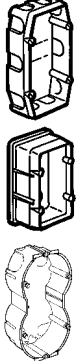
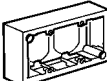

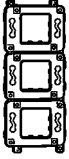




750 02

**1. USE**

Plates providing decorative trim for 2- to 6-module mechanisms

**2. RANGE**
**Mosaic™ 45: screw fixing**

	PLATES	FRAMES	FLUSH BOXES	SURFACE BOXES
 2 modules <sup>(1)</sup>	White <b>750 02</b> Basic grey 751 02 Bright red 751 52 Golf green 752 02 Fiji blue 752 52 Samba yellow 753 02 Gipsy black 753 52	 <b>748 02</b>	 Superbox depth 30 - <b>891 21</b> depth 40 - <b>891 25</b> depth 50 - <b>891 28</b> Verbox depth 40 - <b>891 24/30</b> DLP depth 40 - <b>303 93/94</b> Porouge depth 60 - 895 00 Dry partitions depth 40 - <b>891 65</b> depth 50 - <b>891 78</b>	 depth 30 - <b>893 14</b> depth 40 - <b>893 20</b>
 2 x 2 modules Horizontal and vertical mounting	White <b>750 22</b> Basic grey 751 22 Bright red 751 72 Golf green 752 22 Fiji blue 752 72 Samba yellow 753 22 Gipsy black 753 72	 2 x <b>748 02</b>	 Superbox depth 40 - <b>891 26</b> Porouge depth 50 - 895 05 Dry partitions depth 40 - <b>891 75</b> depth 50 - 891 79	 depth 40 - <b>893 24</b>
 2 x 3 modules Horizontal and vertical mounting	White <b>750 23</b> Basic grey 751 23 Bright red 751 73 Golf green 752 23 Fiji blue 752 73 Samba yellow 753 23 Gipsy black 753 73	 3 x <b>748 02</b>	 Superbox depth 40 - <b>891 27</b> Dry partitions depth 40 - 891 76 depth 50 - 891 81	 depth 40 - <b>893 25</b>

(1) For a single module, use blanking plate Cat. No. 743 91 or the 2-module equivalent if available

# Mosaic plates

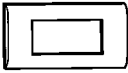
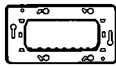
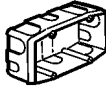
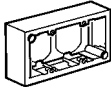
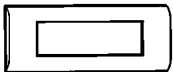
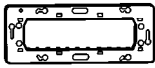
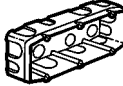
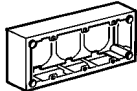
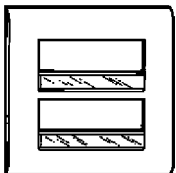
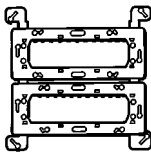
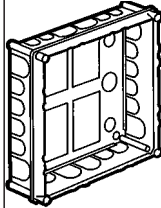
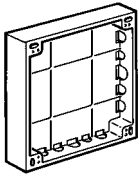
Technical sheet: FA096E

Cat. No(s): 750 02 to 42 - 751 02 to 73 - 752 02 to 73 - 753 02 to 73

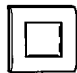




Date: 21.04.98

## 2. RANGE (continued)

### Mosaic™ screw fixing (continued)

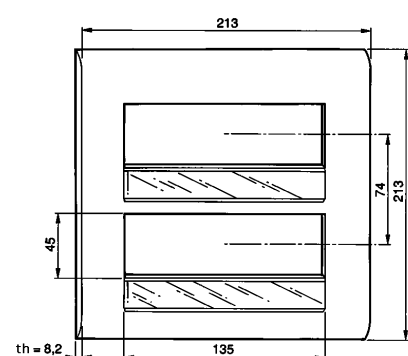
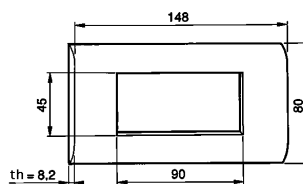
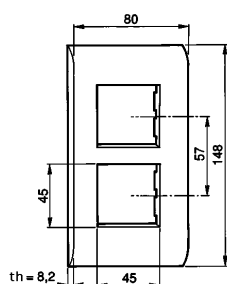
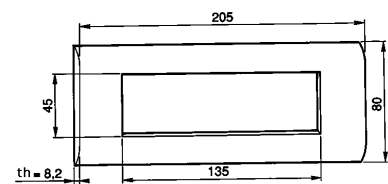
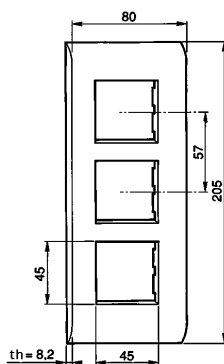
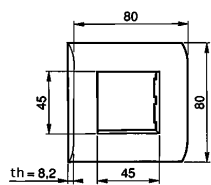
	PLATES	FRAMES	FLUSH BOXES	SURFACE BOXES
 4 modules Horizontal mounting only	White <b>750 10</b> Basic grey 751 10 Bright red 751 60 Golf green 752 10 Fiji blue 752 60 Samba yellow 753 10 Gipsy black 753 60	 <b>748 04</b>	 Superbox depth 40 - <b>891 26</b>	 depth 40 - <b>893 24</b>
 6 modules Horizontal mounting only	White <b>750 14</b> Basic grey 751 14 Bright red 751 64 Golf green 752 14 Fiji blue 752 64 Samba yellow 753 14 Gipsy black 753 64	 <b>748 06</b>	 Superbox depth 40 - <b>891 27</b>	 depth 40 - <b>893 25</b>
 2 x 6 modules Horizontal mounting only	White <b>750 42</b>	 <b>748 25</b>	 Masonry depth 50 - <b>891 91</b>	 depth 50 - <b>893 65</b>

### Mosaic™ claw fixing

 2 modules	White <b>750 02</b> Basic grey 751 02 Bright red 751 52 Golf green 752 02 Fiji blue 752 52 Samba yellow 753 02 Gipsy black 753 52	 <b>748 12</b>	 Verbox depth 40 - <b>891 24/30</b> Masonry Ø 60  DLP depth 40 - <b>303 93/94</b>  Porouge depth 60 - <b>895 00</b> Dry partitions depth 40 - <b>891 67</b> depth 50 - <b>891 77</b>
---	---	--	---

(1) For a single module, use blanking plate Cat. No. 743 91 or the 2-module equivalent if available

## 3. DIMENSIONS



**4. MOUNTING**

The plates clip onto the screw- or claw-mounted support frames by means of notches (the notches allow thickness adjustment. Example: wall carpet)

Impossible to remove by hand  
Easy removal using a screwdriver

**5. TECHNICAL CHARACTERISTICS**

Material: polycarbonate

Self-extinguishing: 750° C/5 sec.

Mechanical shock resistance as per appendix 1: NF C20-010: IPxx.3

Plates Weight (in g)	
2 modules	18.2
2 x 2 modules	33
3 x 2 modules	44
4 modules	32.1
6 modules	42.5
2 x 6 modules	130

**6. PAINTING**

No paint must be applied to Mosaic plates except polyurethane paints  
(In particular, do not use paint containing white spirit)

**7. MAINTENANCE**

Surface cleaning with a slightly damp cloth  
Do not use: acetone, tar remover, trichloroethylene