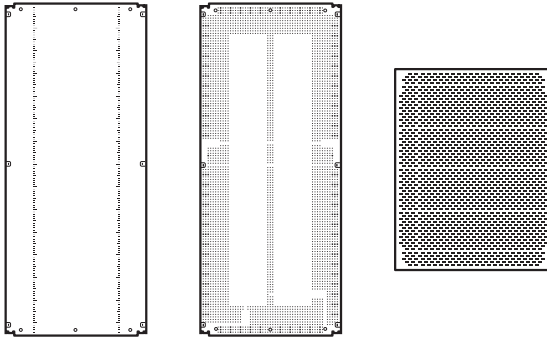


Plates and chassis for Altis one-piece and extendable enclosures

Catalogue number(s): 474 85 to 474 89 - 474 90 to 474 98 - 475 05 to 475 11
475 13 to 475 16 - 475 25 to 475 37 - 475 50 to 475 55 - 476 00 to 476 19
476 21/22/24 - 476 49 to 476 54 - 477 24 /26/28/30/32/36 - 481 40 to 481 45



CONTENTS

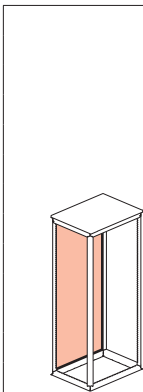
- 1. Range 1 to 3
- 2. Dimensions 3 to 5
- 3. Installation 6 to 8
- 4. Associated products and accessories 8

1. RANGE

Solid plates

Premarked at intervals of 10 mm
Drill holes for lifting rings
Permissible load: 200 kg/m²
Galvanised steel

| Cat. No. | Height | For enclosures (Width mm) | Weight (kg) |
|----------|--------|---------------------------|-------------|
| 476 00 | 1200 | 600 | 17.5 |
| 476 01 | 1200 | 800 | 23.0 |
| 476 02 | 1400 | 600 | 20.0 |
| 476 03 | 1400 | 800 | 27.0 |
| 476 04 | 1600 | 600 | 23.0 |
| 476 05 | 1600 | 800 | 30.5 |
| 476 06 | 1600 | 1000 | 38.0 |
| 476 07 | 1600 | 1200 | 47.0 |
| 476 08 | 1800 | 400 | 17.7 |
| 476 09 | 1800 | 600 | 25.8 |
| 476 10 | 1800 | 800 | 34.0 |
| 476 11 | 1800 | 1000 | 43.0 |
| 476 12 | 1800 | 1200 | 49.0 |
| 476 13 | 1800 | 1600 | 72.0 |
| 476 14 | 2000 | 400 | 19.1 |
| 476 15 | 2000 | 600 | 27.0 |
| 476 16 | 2000 | 800 | 36.8 |
| 476 17 | 2000 | 1000 | 46.5 |
| 476 18 | 2000 | 1200 | 54.3 |
| 476 19 | 2000 | 1600 | 81.0 |
| 476 21 | 2200 | 600 | 30.5 |
| 476 22 | 2200 | 800 | 40.5 |
| 476 24 | 2200 | 1200 | 61.0 |

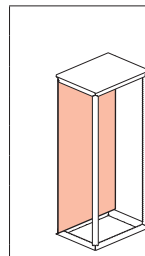


1. RANGE (continued)

Full size solid plates

Usable plate area same as the enclosure width, providing a continuous link between two assembled enclosure plates.
Mounted from the front of the enclosure.
Premarked at intervals of 10 mm.
Drill holes for lifting rings
Permissible load: 150 kg/m².
Galvanised steel.

| Cat. No. | Height | For enclosures (Width mm) | Weight (kg) |
|----------|--------|---------------------------|-------------|
| 475 05 | 1600 | 800 | 35 |
| 475 06 | 1600 | 1000 | 44 |
| 475 07 | 1600 | 1200 | 55 |
| 475 08 | 1800 | 600 | 29 |
| 475 09 | 1800 | 800 | 40 |
| 475 10 | 1800 | 1000 | 51 |
| 475 11 | 1800 | 1200 | 58 |
| 475 13 | 2000 | 600 | 32 |
| 475 14 | 2000 | 800 | 43 |
| 475 15 | 2000 | 1000 | 54 |
| 475 16 | 2000 | 1200 | 65 |



Note: Not used with 300 mm deep one-piece enclosures.

Plates and chassis for Altis one-piece and extendable enclosures

Catalogue number(s): 474 85 to 474 89 - 474 90 to 474 98 - 475 05 to 475 11
475 13 to 475 16 - 475 25 to 475 37 - 475 50 to 475 55 - 476 00 to 476 19
476 21/22/24 - 476 49 to 476 54 - 477 24 /26/28/30/32/36 - 481 40 to 481 45

1. RANGE (continued)

Lina 12.5 plate

Galvanised steel.

With drill holes to enable equipment to be installed without marking up.

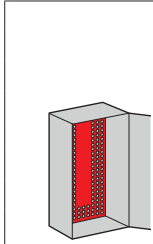
Automatic alignment:

- Ø 6.5 mm for insulating rivets Cat. No. 366 44 (trunking)

- Ø 3.3 mm for equipment with screws Cat. No. 347 45

Drill holes for lifting rings

Permissible load: 200 kg/m².

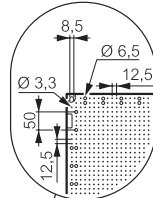


| Cat. No. | Height | For enclosures (Width mm) | Weight (kg) |
|----------|--------|---------------------------|-------------|
| 475 25 | 1600 | 800 | 30.0 |
| 475 26 | 1600 | 1000 | 37.5 |
| 475 27 | 1600 | 1200 | 46.5 |
| 475 28 | 1800 | 600 | 25.3 |
| 475 29 | 1800 | 800 | 33.5 |
| 475 30 | 1800 | 1000 | 42.5 |
| 475 31 | 1800 | 1200 | 48.5 |
| 475 32 | 1800 | 1600 | 71.5 |
| 475 33 | 2000 | 600 | 26.5 |
| 475 34 | 2000 | 800 | 36.3 |
| 475 35 | 2000 | 1000 | 46.0 |
| 475 36 | 2000 | 1200 | 53.8 |
| 475 37 | 2000 | 1600 | 80.5 |

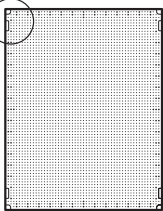
Lina 12.5 and Lina 25 partial plates are mounted directly on the frame or on sectioned uprights for extendable enclosures, and using sectioned uprights for one-piece enclosures.

Lina 12.5 partial plate

Characteristics identical to the Lina 12.5 plate, apart from the permissible load, which is 150 kg/m².



| Cat. No. | Height | For enclosures (Width mm) | Weight (kg) |
|----------|--------|---------------------------|-------------|
| 481 40 | 800 | 800 | 7.6 |
| 481 41 | 800 | 1000 | 9.6 |
| 481 42 | 800 | 1200 | 11.4 |
| 481 43 | 1000 | 800 | 9.6 |
| 481 44 | 1000 | 1000 | 12.0 |
| 481 45 | 1000 | 1200 | 14.3 |

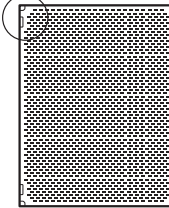
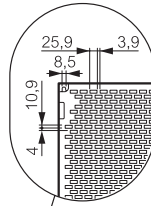


1. RANGE (continued)

Lina 25 partial plate

Zinc-plated steel

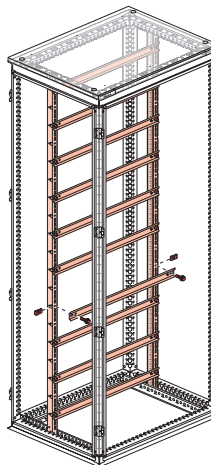
Permissible load: 50 kg/m².



| Cat. No. | Height | For enclosures (Width mm) | Weight (kg) |
|----------|--------|---------------------------|-------------|
| 474 89 | 800 | 600 | 10.9 |
| 474 90 | 800 | 800 | 15.2 |
| 474 91 | 800 | 1000 | 18.4 |
| 474 92 | 800 | 1200 | 23.9 |
| 474 93 | 800 | 1600 | 31.5 |
| 474 94 | 1000 | 600 | 13.9 |
| 474 95 | 1000 | 800 | 16.3 |
| 474 96 | 1000 | 1000 | 23.6 |
| 474 97 | 1000 | 1200 | 28.3 |
| 474 98 | 1000 | 1600 | 37.7 |
| 474 85 | 1200 | 600 | 17.0 |
| 474 86 | 1200 | 800 | 22.7 |
| 474 87 | 1400 | 600 | 19.9 |
| 474 88 | 1400 | 800 | 26.5 |

Note: For 1200 and 1400 mm height enclosures, the partial plate used covers the entire height of the enclosure

Chassis: Sectioned uprights and rails



| Cat. No. | Sectioned uprights For Lina 25 □ or □ rails or partial plates. Set of 2 galvanised uprights for enclosures height (mm) |
|----------|--|
| 475 50 | 1200 |
| 475 51 | 1400 |
| 475 52 | 1600 |
| 475 53 | 1800 |
| 475 54 | 2000 |
| 475 55 | 2200 |

| Cat. No. | Lina 25 rails for chassis galvanised For enclosures width (mm) |
|----------|---|
| 477 24 | 400 |
| 477 26 | 600 |
| 477 28 | 800 |
| 477 30 | 1000 |
| 477 32 | 1200 |
| 477 36 | 1600 |

Plates and chassis for Altis one-piece and extendable enclosures

Catalogue number(s): 474 85 to 474 89 - 474 90 to 474 98 - 475 05 to 475 11
 475 13 to 475 16 - 475 25 to 475 37 - 475 50 to 475 55 - 476 00 to 476 19
 476 21/22/24 - 476 49 to 476 54 - 477 24 /26/28/30/32/36 - 481 40 to 481 45

1. RANGE (continued)

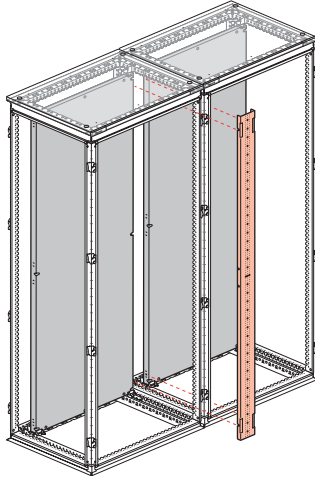
Perforated intermediate plate

For extendable enclosures.

Create a continuous link between 2 solid or Lina 12.5 plates.

Lina 12.5 perforation.

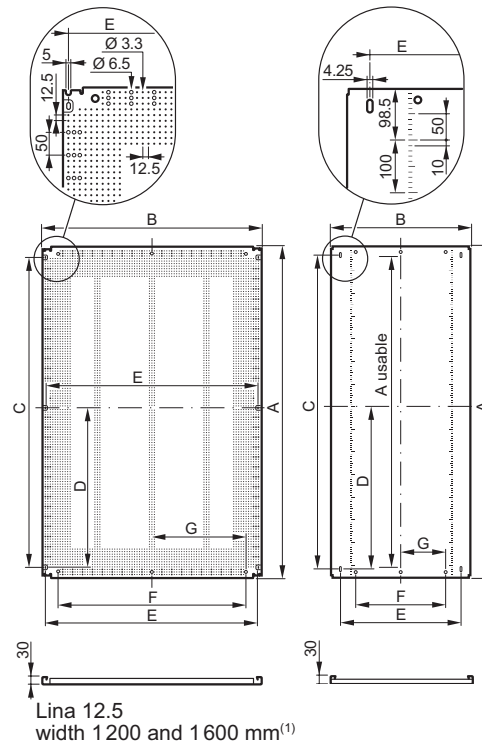
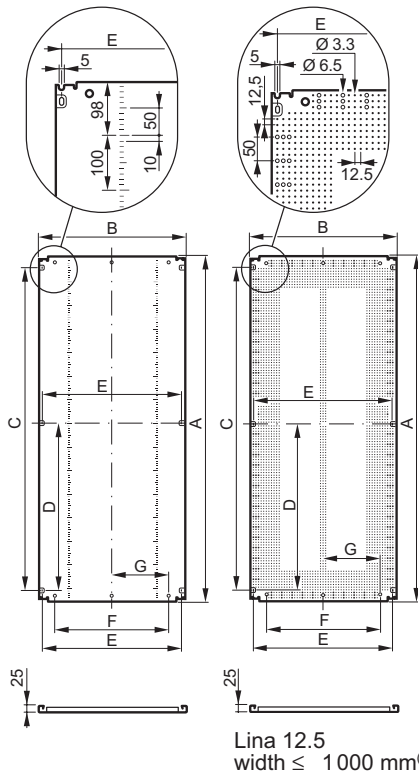
Galvanised steel



| Cat. No. | For enclosures (Height mm) |
|----------|----------------------------|
| 476 49 | 1200 |
| 476 50 | 1400 |
| 476 51 | 1600 |
| 476 52 | 1800 |
| 476 53 | 2000 |
| 476 54 | 2200 |

2. DIMENSIONS (mm)

Solid, Lina 12.5⁽¹⁾ and full size solid plates (mm)



⁽¹⁾ Width of perforated strips, outer: 112.5 mm and inner: 25 mm

Plates and chassis for Altis one-piece and extendable enclosures

Catalogue number(s): 474 85 to 474 89 - 474 90 to 474 98 - 475 05 to 475 11
475 13 to 475 16 - 475 25 to 475 37 - 475 50 to 475 55 - 476 00 to 476 19
476 21/22/24 - 476 49 to 476 54 - 477 24 /26/28/30/32/36 - 481 40 to 481 45

2. DIMENSIONS (mm)

Solid, Lina 12.5⁽¹⁾ and full size solid plates (mm)

| Enclosure dimensions Height x Width | Solid and Lina 12.5 plates | | | | | | | Area (dm ²) |
|--|----------------------------|------|------|------|------|------|-----|-------------------------|
| | A | B | C | D | E | F | G | |
| 1200 x 600 ⁽²⁾ | 1096 | 500 | 1020 | 510 | 475 | 360 | 180 | 55 |
| 1200 x 800 ⁽²⁾ | 1096 | 700 | 1020 | 510 | 675 | 560 | 280 | 77 |
| 1400 x 600 ⁽²⁾ | 1296 | 500 | 1220 | 610 | 475 | 360 | 180 | 65 |
| 1400 x 800 ⁽²⁾ | 1296 | 700 | 1220 | 610 | 675 | 560 | 280 | 91 |
| 1600 x 600 ⁽²⁾ | 1496 | 500 | 1420 | 710 | 475 | 360 | 180 | 75 |
| 1600 x 800 | 1496 | 700 | 1420 | 710 | 675 | 560 | 280 | 105 |
| 1600 x 1000 | 1496 | 900 | 1420 | 710 | 875 | 760 | 380 | 135 |
| 1600 x 1200 | 1496 | 1100 | 1420 | 710 | 1075 | 960 | 480 | 165 |
| 1800 x 400 ⁽²⁾ | 1696 | 300 | 1620 | 810 | 275 | 160 | 80 | 51 |
| 1800 x 600 | 1696 | 500 | 1620 | 810 | 475 | 360 | 180 | 85 |
| 1800 x 800 | 1696 | 700 | 1620 | 810 | 675 | 560 | 280 | 119 |
| 1800 x 1000 | 1696 | 900 | 1620 | 810 | 875 | 760 | 380 | 153 |
| 1800 x 1200 | 1696 | 1100 | 1620 | 810 | 1075 | 960 | 480 | 187 |
| 1800 x 1600 | 1696 | 1500 | 1620 | 810 | 1475 | 1360 | 680 | 254 |
| 2000 x 400 ⁽²⁾ | 1896 | 300 | 1820 | 910 | 275 | 160 | 80 | 57 |
| 2000 x 600 | 1896 | 500 | 1820 | 910 | 475 | 360 | 180 | 95 |
| 2000 x 800 | 1896 | 700 | 1820 | 910 | 675 | 560 | 280 | 133 |
| 2000 x 1000 | 1896 | 900 | 1820 | 910 | 875 | 760 | 380 | 171 |
| 2000 x 1200 | 1896 | 1100 | 1820 | 910 | 1075 | 960 | 480 | 209 |
| 2000 x 1600 | 1896 | 1500 | 1820 | 910 | 1475 | 1360 | 680 | 284 |
| 2200 x 600 ⁽²⁾ | 2096 | 500 | 2020 | 1010 | 475 | 360 | 180 | 105 |
| 2200 x 800 ⁽²⁾ | 2096 | 700 | 2020 | 1010 | 675 | 560 | 280 | 147 |
| 2200 x 1200 ⁽²⁾ | 2096 | 1100 | 2020 | 1010 | 1075 | 960 | 480 | 231 |

| Enclosure dimensions Height x Width | Full size solid plates | | | | Area (dm ²) |
|--|------------------------|------|------|------|-------------------------|
| | A | B | C | D | |
| 1600 x 800 | 1496 | 790 | 1437 | 673 | 118 |
| 1600 x 1000 | 1496 | 990 | 1437 | 873 | 148 |
| 1600 x 1200 | 1496 | 1190 | 1437 | 1073 | 178 |
| 1800 x 600 | 1696 | 590 | 1637 | 473 | 100 |
| 1800 x 800 | 1696 | 790 | 1637 | 673 | 134 |
| 1800 x 1000 | 1696 | 990 | 1637 | 873 | 168 |
| 1800 x 1200 | 1696 | 1190 | 1637 | 1073 | 202 |
| 2000 x 600 | 1896 | 590 | 1837 | 473 | 112 |
| 2000 x 800 | 1896 | 790 | 1837 | 673 | 150 |
| 2000 x 1000 | 1896 | 990 | 1837 | 873 | 188 |
| 2000 x 1200 | 1896 | 1190 | 1837 | 1073 | 226 |

⁽¹⁾ Width of perforated strips, outer: 112.5 mm and inner: 25 mm

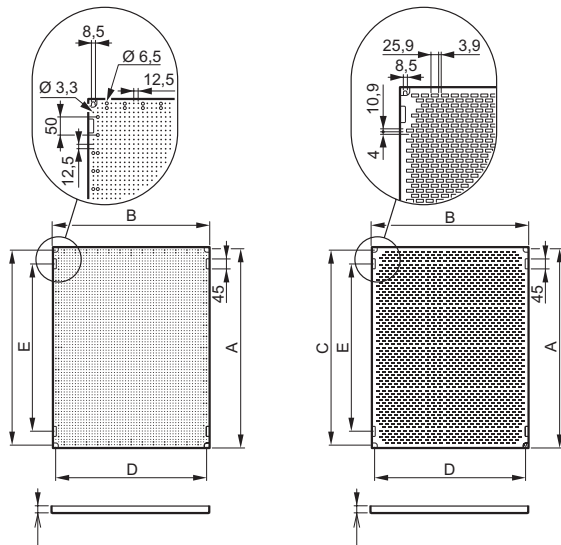
⁽²⁾ Dimensions only available for solid plates

Plates and chassis for Altis one-piece and extendable enclosures

Catalogue number(s): 474 85 to 474 89 - 474 90 to 474 98 - 475 05 to 475 11
 475 13 to 475 16 - 475 25 to 475 37 - 475 50 to 475 55 - 476 00 to 476 19
 476 21/22/24 - 476 49 to 476 54 - 477 24 /26/28/30/32/36 - 481 40 to 481 45

2. DIMENSIONS (mm) (continued)

Lina 12.5 partial plates and Lina 25 perforated plates



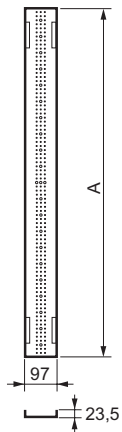
| Enclosure dimensions Height x Width | Lina 12.5 partial plates and Lina 25 perforated plates | | | | | |
|--|--|------|------|------|------|-------------------------|
| | A | B | C | D | E | Area (dm ²) |
| 1200 x 600 ⁽³⁾ | 1103 | 503 | 1075 | 475 | 950 | 55 |
| 1200 x 800 ⁽³⁾ | 1103 | 703 | 1075 | 675 | 950 | 78 |
| 1400 x 600 ⁽³⁾ | 1303 | 503 | 1275 | 475 | 1150 | 66 |
| 1400 x 800 ⁽³⁾ | 1303 | 703 | 1275 | 675 | 1150 | 92 |
| 800 x 600 ⁽³⁾ | 703 | 503 | 675 | 475 | 550 | 35 |
| 800 x 800 | 703 | 703 | 675 | 675 | 550 | 49 |
| 800 x 1000 | 703 | 903 | 675 | 875 | 550 | 63 |
| 800 x 1200 | 703 | 1103 | 675 | 1075 | 550 | 78 |
| 800 x 1600 ⁽³⁾ | 703 | 1503 | 675 | 1475 | 550 | 106 |
| 1000 x 600 ⁽³⁾ | 903 | 503 | 875 | 475 | 750 | 45 |
| 1000 x 800 | 903 | 703 | 875 | 675 | 750 | 63 |
| 1000 x 1000 | 903 | 903 | 875 | 875 | 750 | 82 |
| 1000 x 1200 | 903 | 1103 | 875 | 1075 | 750 | 100 |
| 1000 x 1600 ⁽³⁾ | 903 | 1503 | 875 | 1475 | 750 | 136 |

⁽³⁾ Dimensions only available for Lina 25 plates

Chassis consisting of sectioned uprights + rails

Intermediate plates

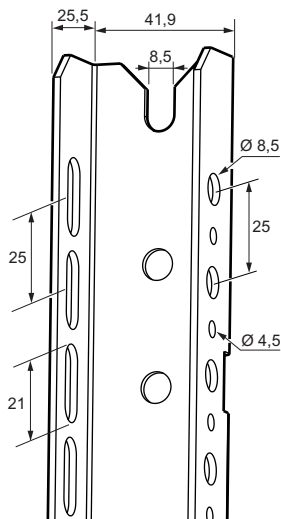
Cat. No. 476 49/50/51/52/53/54



| Enclosure dim. Height | Intermediate plates | |
|--------------------------|---------------------|-------------------------|
| | A | Area (dm ²) |
| 1200 | 1074 | 10 |
| 1400 | 1274 | 12 |
| 1600 | 1474 | 14 |
| 1800 | 1674 | 16 |
| 2000 | 1874 | 18 |
| 2200 | 2074 | 20 |

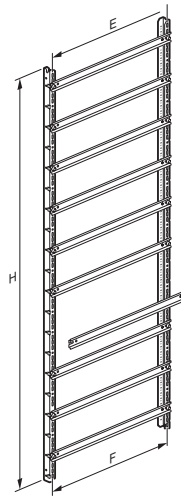
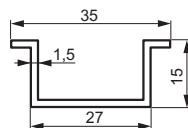
Sectioned uprights

Cat. No. 475 50/51/52/53/54/55



Lina 25 rails

Cat. No. 477 24/26/28/30/32/36



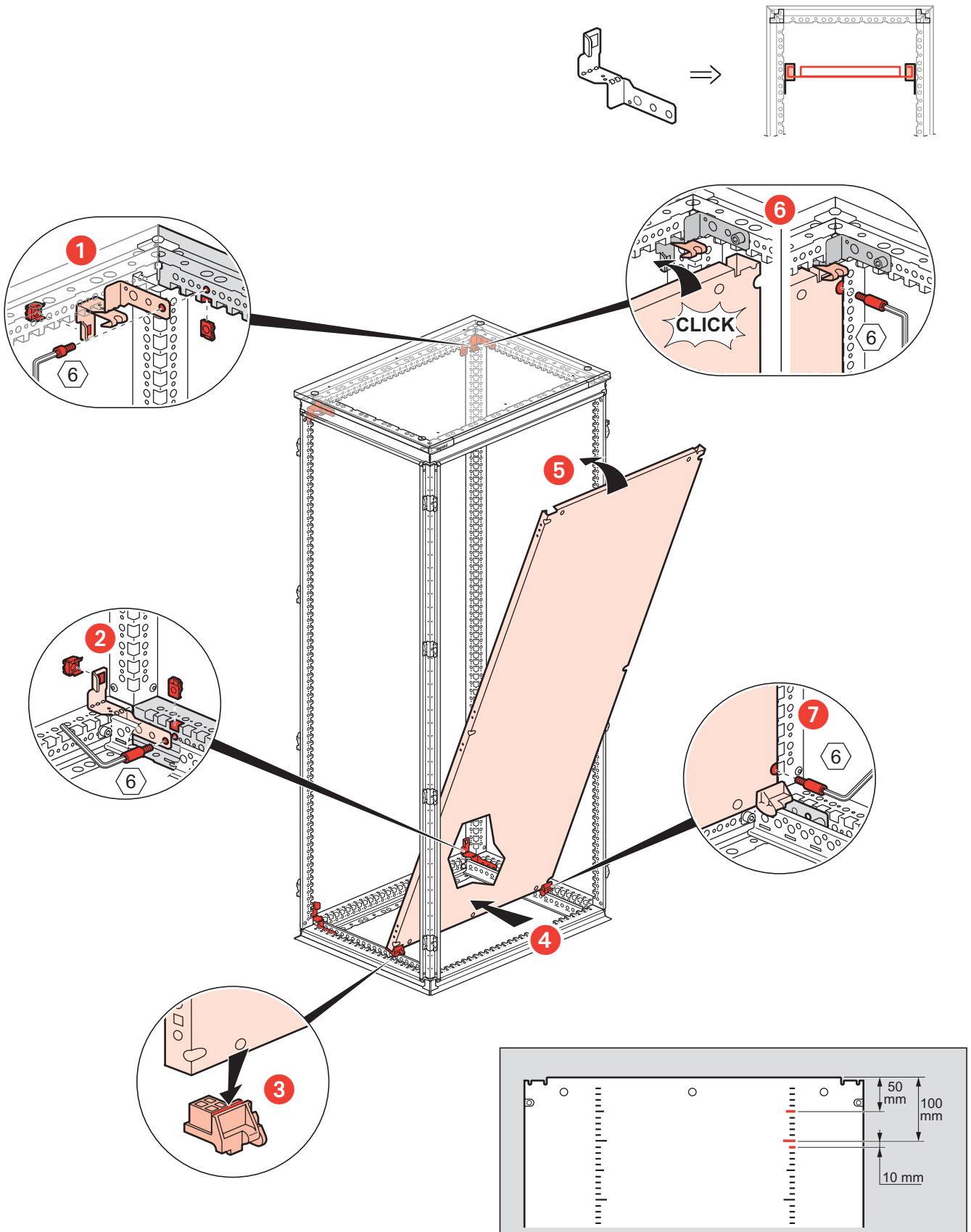
| Enclosure dim. Height x Width | Chassis | | |
|----------------------------------|-----------------------|-----------------------------------|------|
| | E Fixing centre | F Space between uprights | H |
| 1200 x 600 | 475 | 455 | 1175 |
| 1200 x 800 | 675 | 655 | 1175 |
| 1800 x 400 | 275 | 255 | 1775 |
| 1800 x 600 | 475 | 455 | 1775 |
| 1800 x 800 | 675 | 655 | 1775 |
| 1800 x 1000 | 875 | 855 | 1775 |
| 1800 x 1200 | 1075 | 1055 | 1775 |
| 2000 x 400 | 275 | 255 | 1975 |
| 2000 x 600 | 475 | 455 | 1975 |
| 2000 x 800 | 675 | 655 | 1975 |
| 2000 x 1000 | 875 | 855 | 1975 |
| 2000 x 1200 | 1075 | 1055 | 1975 |
| 1600 x 600 | 475 | 455 | 1575 |
| 1600 x 800 | 675 | 655 | 1575 |
| 1600 x 1200 | 1075 | 1055 | 1575 |
| 2000 x 1600 | 1475 | 1455 | 1975 |
| 1400 x 600 | 475 | 455 | 1375 |
| 1400 x 800 | 675 | 655 | 1375 |
| 2200 x 600 | 475 | 455 | 2175 |
| 2200 x 800 | 675 | 655 | 2175 |
| 2200 x 1200 | 1075 | 1055 | 2175 |

Plates and chassis for Altis one-piece and extendable enclosures

Catalogue number(s): 474 85 to 474 89 - 474 90 to 474 98 - 475 05 to 475 11
475 13 to 475 16 - 475 25 to 475 37 - 475 50 to 475 55 - 476 00 to 476 19
476 21/22/24 - 476 49 to 476 54 - 477 24 /26/28/30/32/36 - 481 40 to 481 45

3. INSTALLATION

Solid plate

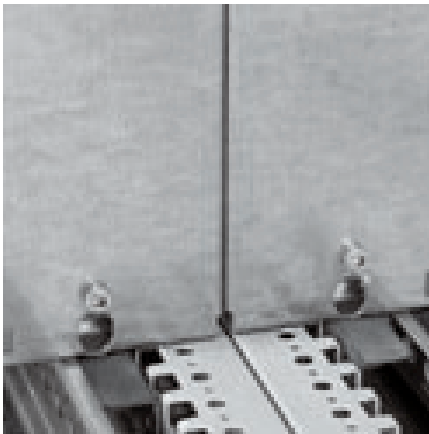
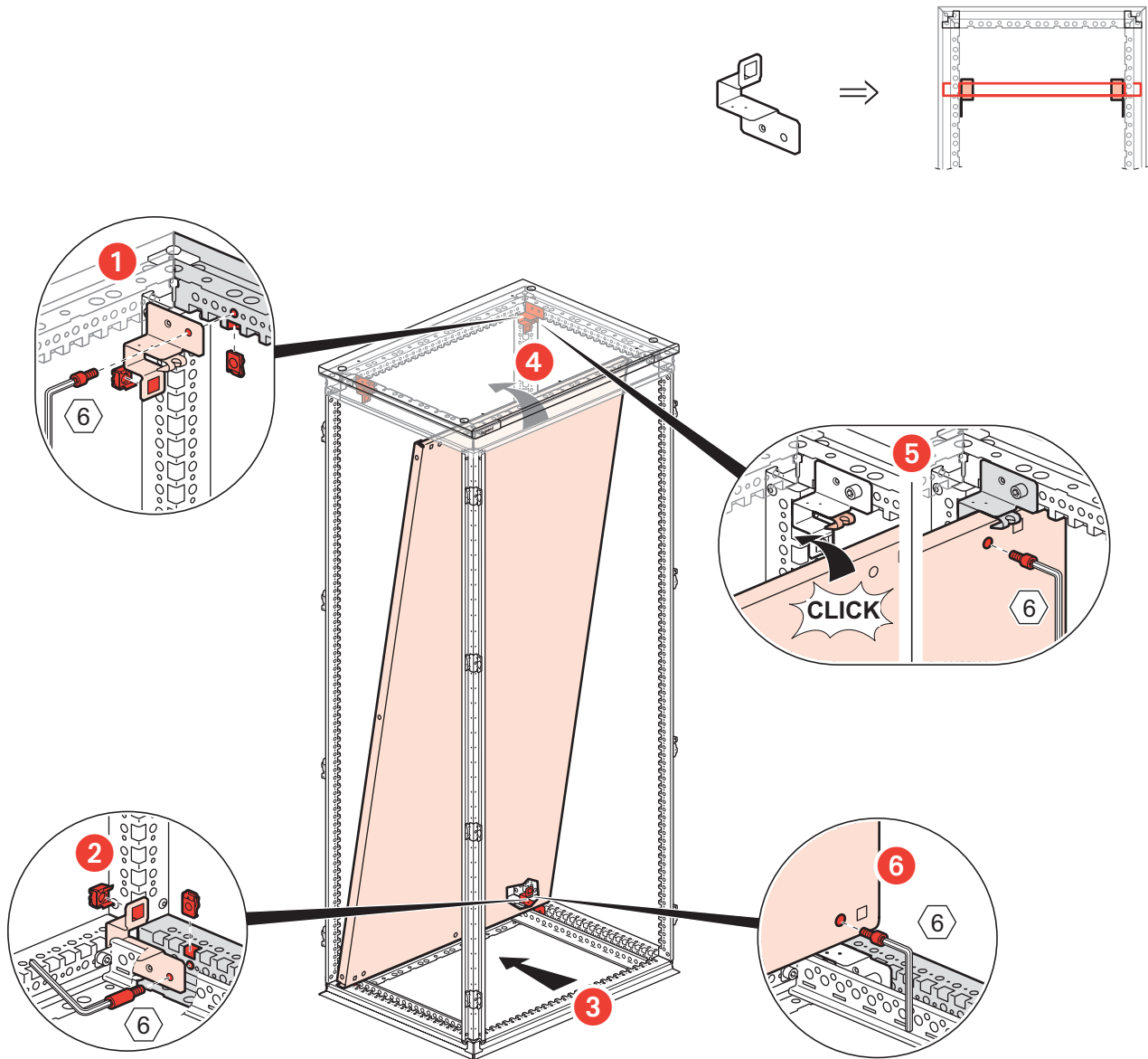


Plates and chassis for Altis one-piece and extendable enclosures

Catalogue number(s): 474 85 to 474 89 - 474 90 to 474 98 - 475 05 to 475 11
475 13 to 475 16 - 475 25 to 475 37 - 475 50 to 475 55 - 476 00 to 476 19
476 21/22/24 - 476 49 to 476 54 - 477 24 /26/28/30/32/36 - 481 40 to 481 45

3. INSTALLATION (continued)

Full size solid plate



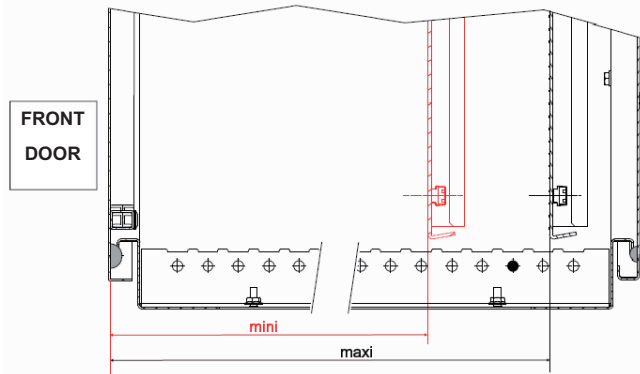
Example of mounting 2 full size solid plates at the back of extendable enclosures

Plates and chassis for Altis one-piece and extendable enclosures

Catalogue number(s): 474 85 to 474 89 - 474 90 to 474 98 - 475 05 to 475 11
 475 13 to 475 16 - 475 25 to 475 37 - 475 50 to 475 55 - 476 00 to 476 19
 476 21/22/24 - 476 49 to 476 54 - 477 24 /26/28/30/32/36 - 481 40 to 481 45

3. INSTALLATION (continued)

Positioning of full size solid plates in Altis one-piece enclosures
 Can only be fitted from 400 mm depth upwards.



| | Depth | | | |
|------|-------|-----|-----|-----|
| (mm) | 300 | 400 | 500 | 600 |
| Min. | NO | 260 | 260 | 260 |
| Max. | NO | 360 | 460 | 560 |

4. ASSOCIATED PRODUCTS AND ACCESSORIES

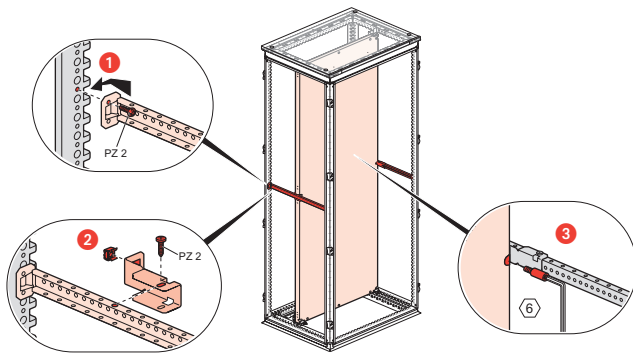
Reinforcing bracket

Cat. No. 480 21

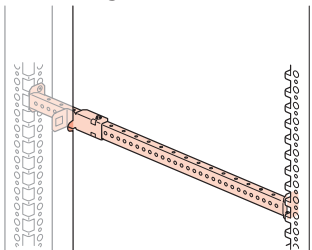
Set of 2

Can be used to add a fixing point halfway up solid or Lina 12.5 plates in 1600 mm wide extendable or one-piece enclosures.

Fit on horizontal crosspieces for extendable enclosures and on runners (below) Cat. No. 480 22 for one-piece enclosures.



Reinforcing bracket

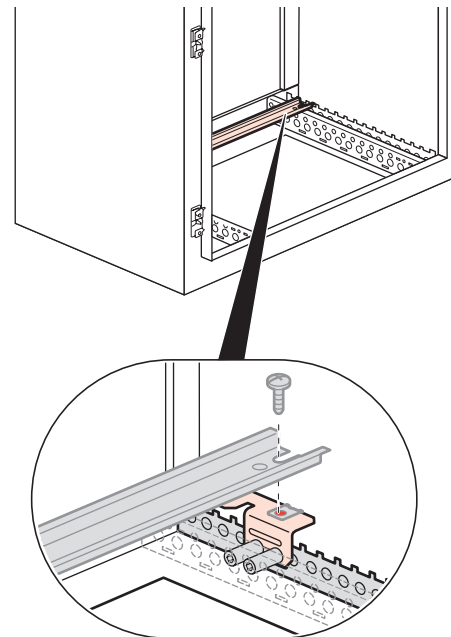
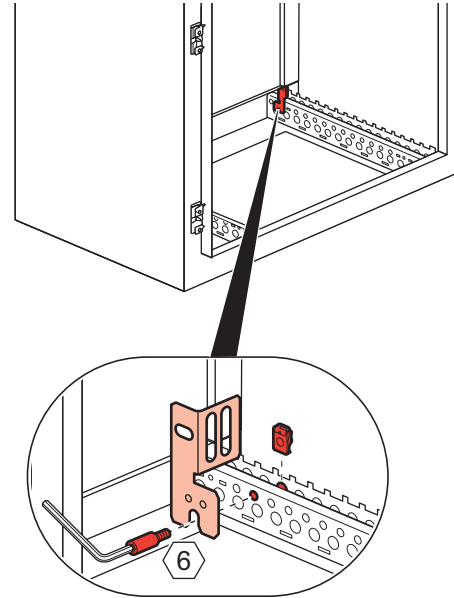


4. ASSOCIATED PRODUCTS AND ACCESSORIES

Reinforcing bracket

Set of 4 fixing lugs for non-Legrand uprights or fixing earthing terminal block or bar.

Cat. No. 480 20



Plates and chassis for Altis one-piece and extendable enclosures

Catalogue number(s): 474 85 to 474 89 - 474 90 to 474 98 - 475 05 to 475 11
475 13 to 475 16 - 475 25 to 475 37 - 475 50 to 475 55 - 476 00 to 476 19
476 21/22/24 - 476 49 to 476 54 - 477 24 /26/28/30/32/36 - 481 40 to 481 45

4. ASSOCIATED PRODUCTS AND ACCESSORIES

(continued)

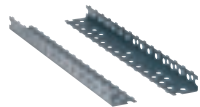
Runners

Cat. No. 480 22

Set of 2 runners for mounting 2 chassis or plates in 1200/1600 mm wide one-piece enclosures (order 2 sets)

Depth adjustment 300/400/500/600 mm.

Also used with reinforcing brackets Cat. No. 480 21 (above) to add a fixing point halfway up solid or Lina 12.5 plates in 1600 mm wide one-piece enclosures.



Fixings

| Cat. No. | Description | Type of plate |
|----------|--|--|
| 347 46 | For use with screwdriver PZ N3 Self-tapping screw CBL Z 5.5 x 16 | Solid, full size solid and intermediate plates |
| 347 47 | Self-boring self-tapping screw CBL Z 5.5 x 19 | |
| 366 44 | Reinforced plastic rivet Ø 6 mm for Ø 6.5 mm drill holes | Lina 12.5 plate |
| 347 45 | H. 4.8 mm x 16 self-boring self-tapping screw for Ø 3.3 mm | |
| 347 50 | Screw covers for insulating the heads of 347 45 screws inside ducting | |
| 364 40 | Clip-nuts for M4 screws | Lina 25 perforated plate |
| 364 41 | Clip-nuts for M5 screws | |
| 364 42 | Clip-nuts for M6 screws | |