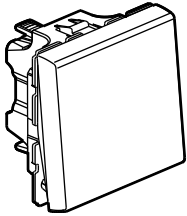
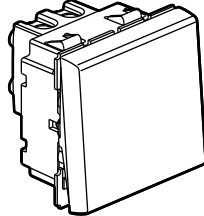


**Mosaic™**  
**10 AX switches**

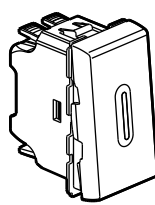
**Cat. No(s): 0 770 00/01/02/10/11/12/14/21**  
**0 792 01/02/11/12/21**



0 770 10/11 - 0 792 11



0 770 21 - 0 792 21



0 770 02 - 0 792 02

| CONTENTS                               | Page |
|--|------|
| 1. Use . . . . .                       | 1    |
| 2. Range . . . . .                     | 1    |
| 3. Installation . . . . .              | 1    |
| 4. Overall dimensions . . . . .        | 2    |
| 5. Connection . . . . .                | 2    |
| 6. Wiring . . . . .                    | 2    |
| 7. Technical characteristics . . . . . | 3    |
| 8. Cleaning . . . . .                  | 3    |
| 9. Accessories . . . . .               | 3    |
| 10. Conformity and approvals . . . . . | 3    |

**1. USE**

General lighting control mechanisms with or without signalling components (indicator light).  
 The mechanisms can be flush-mounted or surface-mounted.  
 To be equipped with plate.

**2. RANGE**

|  | Description   | White     | Aluminium |
|--|---|-----------|-----------|
|  | Switch - 1 module   | 0 770 00* | -         |
|  | Two-way switch - 1 module   | 0 770 01  | -         |
|  | Two-way switch with LED indicator<br>Equipped with a terminal for neutral connection - To be equipped with an indicator 1 module  | 0 770 02  | -         |
|  | Switch - 2 modules  | 0 770 10* | -         |
|  | Two-way switch - 2 modules  | 0 770 11  | -         |
|  | Two-way switch with LED indicator<br>Equipped with a terminal for neutral connection - To be equipped with an indicator 2 modules | 0 770 12  | -         |
|  | Two-way switch - 1 module   | -         | 0 792 01  |
|  | Two-way switch with LED indicator<br>Equipped with a terminal for neutral connection - To be equipped with an indicator 1 module  | -         | 0 792 02  |
|  | Two-way switch - 2 modules  | -         | 0 792 11  |
|  | Two-way switch with LED indicator<br>Equipped with a terminal for neutral connection - To be equipped with an indicator 2 modules | -         | 0 792 12  |
|  | Two-way switch with a pull-cord - 2 modules   | 0 770 14  | -         |

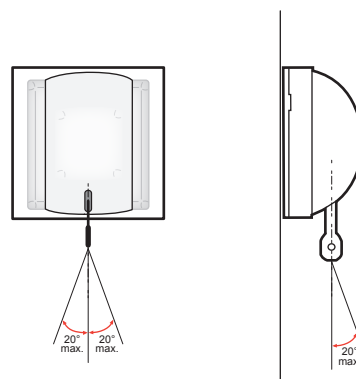
**2. GAMME (suite)**

|  | Description                     | White    | Aluminium |
|--|---------------------------------|----------|-----------|
|  | Intermediate switch - 2 modules | 0 770 21 | -         |
|  | Intermediate switch - 2 modules | -        | 0 792 21  |

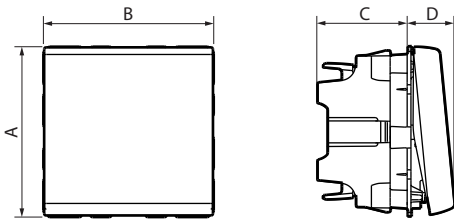
\*Only 2 terminals.

**3. INSTALLATION**

■ **Precaution for use for Cat. No. 0 770 14**



#### 4. OVERALL DIMENSIONS (mm)



| References                    | A  | B    | C    | D    |
|-------------------------------|----|------|------|------|
| 0 770 00/01/02<br>0 792 01/02 | 45 | 22.5 | 24   | 12.3 |
| 0 770 10/11/12<br>0 792 11/12 | 45 | 45   | 24   | 12.3 |
| 0 770 21<br>0 792 21          | 45 | 45   | 29.7 | 12   |
| 0 770 14                      | 45 | 45   | 22.6 | 13   |

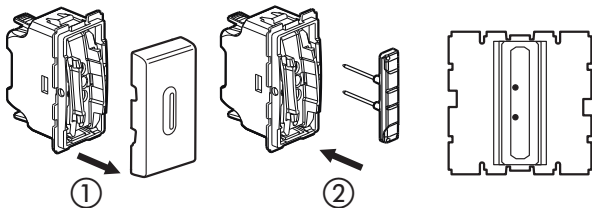
#### 5. CONNECTION

| References   | Terminals   | Capacity                | Stripping | Screwdriver                                       |
|--|-------------|-------------------------|-----------|---|
| 0 770 21<br>0 792 21   | With screws | 2 x 2.5 mm <sup>2</sup> | 10 mm     | Philips n° 1<br>Posidrive n° 1<br>Flat-blade 4 mm |
| 0 770 00<br>0 770 01<br>0 770 02<br>0 770 10<br>0 770 11<br>0 770 12<br>0 792 01<br>0 792 02<br>0 792 11<br>0 792 12 | automatic   | 2 x 2.5 mm <sup>2</sup> | 12 mm     | -   |
| 0 770 14   | automatic   | 2 x 2.5 mm <sup>2</sup> | 13 mm     | -   |

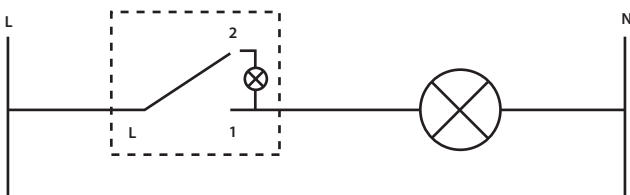
#### 6. WIRING

References: 0 770 02/12 - 0 792 02/12

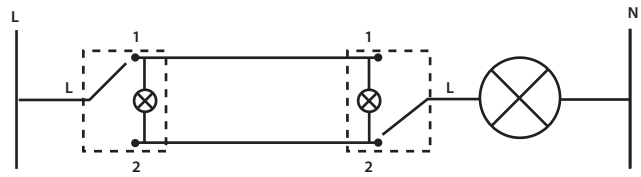
**Illuminated function:** Illuminates the switch in the dark.



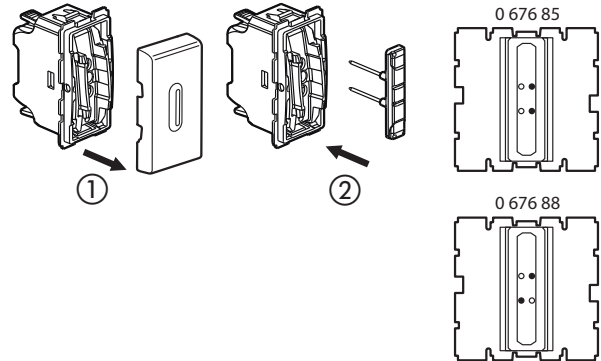
- 1 - Unclip the rocker
- 2 - Insert the indicator light Cat. No. 0 676 86 or Cat. No. 0 676 87



#### 6. WIRING (continued)

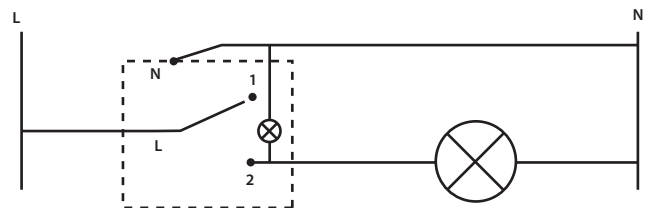


**Indicator function:** The lamp is switched on when the lighting is on.

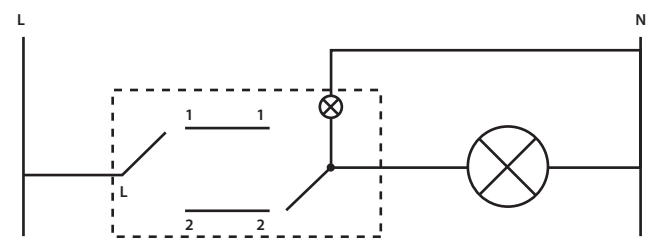


- 1 - Unclip the rocker
- 2 - Insert the indicator light Cat. No. 0 676 88 or 0 676 85

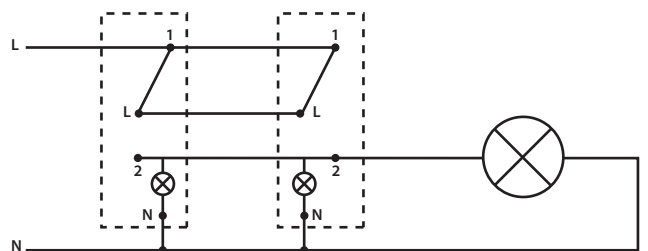
Switch



Two-way switch existing cabling, indicator light 0 676 85



Two-way switch, indicator light 0 676 88



**Note:** Do not mix old motor (manufacture before July 2014) with new motor (manufacture after July 2014).

## 7. TECHNICAL CHARACTERISTICS

### ■ 7.1 Mechanical characteristics

Impact tests: IK 04

Protection against solid bodies and liquids: IP 31 D

#### Note:

Switching mechanism (handling force 2.6 to 3.5 N):

Pull-cord mechanism (handling force 3 to 5 N) for Cat. No. 0 770 14

### ■ 7.2 Material characteristics

- Rocker: ABS

- Base: PC

- Rocker support: PC

- Halogen free

- UV resistant

Self-extinguishing:

+ 850°C / 30 s for insulating components holding in place live parts.

+ 650°C / 30 s for the other insulating components.

### ■ 7.3 Electrical characteristics

Voltage: 250 VAC

Current: 10 AX

### ■ 7.4 Climatic characteristics

Storage temperature: - 10° C to + 70° C

Operating temperature: - 5° C to + 5 0° C

## 8. CLEANING

Surface cleaning with a cloth.

Do not use: acetone, tar remover, trichloroethylene.

### ■ 8.1 Resistance to cleaning agents

Resistance to the following agents: Hexane (EN 60669-1), methylated spirits, soapy water, diluted ammonia, pure bleach diluted 10%, glass cleaning substance, pre-impregnated wipe.

### ■ 8.2 Resistance to hospital-type cleaning agents

Resistance to the following agents: Anios, Surfanios, Bactily sine, Diluted hydrogen peroxide (35%).

**Caution:** A preliminary test should be carried out if other specific cleaning products are to be used.

## 9. ACCESSORIES

Lights for switches with indicator light:

| Switches | Illuminated                | Indicator                                 |
|----------|----------------------------|---|
| 0 770 02 |                            |   |
| 0 770 12 | 0 676 86 (230 V / 0.15 mA) | 0 676 85 (230 V / 3 mA)                   |
| 0 792 02 | 0 676 87 (12/24/48 V)      | 0 676 88 distributed phase (230 V / 3 mA) |
| 0 792 12 |                            |   |

Cord for two-way pull-cord switch

|          |                       |
|----------|-----------------------|
| 0 770 14 | 0 898 05 Cordon 1.5 m |
|----------|-----------------------|

## 10. CONFORMITY AND APPROVALS

Compliance with standards of installation and manufacturing.

See e.catalogue.