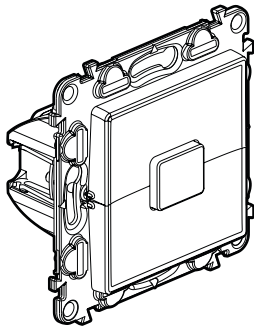
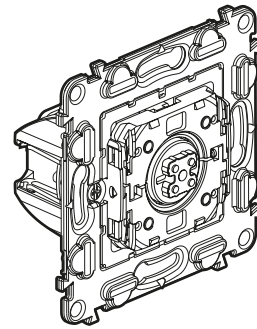


**Valena™ Life - Valena™ INMATIC**  
**Control for opening**

**Cat. No(s): 7 520 29 - 7 521 29 - 7 522 29 - 7 523 29**  
**7 520 30 - 7 521 30 - 7 522 30 - 7 523 30**  
**7 521 20 - 7 522 20 - 7 523 20**



7 521 29/30



7 520 29/30

**1. USE**

Control mechanisms for roller shutters, blinds and awnings.  
 Mechanisms supplied with protection cover.  
 To be equipped with plates.  
 Flush-mounting or surface-mounting.  
 Screw or claw fixing.

**2. RANGE**

**Roller blind switch**

7 521 29	<input type="checkbox"/> White
7 522 29	<input type="checkbox"/> Ivory
7 523 29	<input type="checkbox"/> Aluminium
7 520 29	Mechanism only

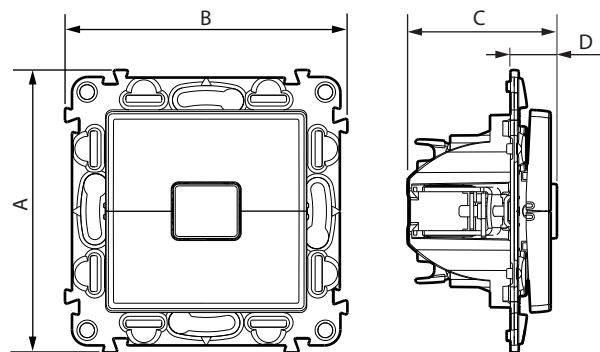
**Roller blind push-button**

7 521 30	<input type="checkbox"/> White
7 522 30	<input type="checkbox"/> Ivory
7 523 30	<input type="checkbox"/> Aluminium
7 520 30	Mechanism only

**Roller blind push-button direct control of the motor**

7 521 20	<input type="checkbox"/> White
7 522 20	<input type="checkbox"/> Ivory
7 523 20	<input type="checkbox"/> Aluminium
7 520 20	Mechanism only

**3. DIMENSIONS (mm)**

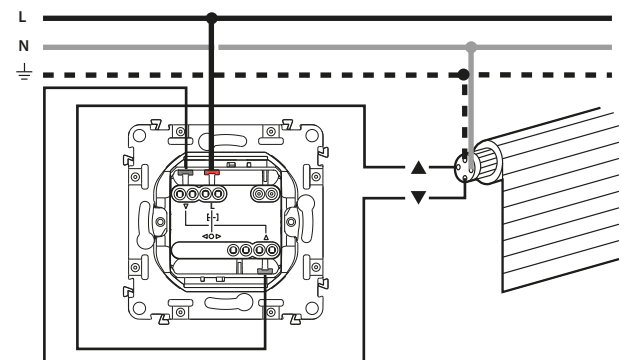


Cat. No(s)	A	B	C	D
7 520 20/29/30	75	75	38	10.5
7 521 20/29/30 - 7 522 20/29/30 - 7 523 20/29/30	75	75	39.5	12.5

**4. CONNECTION**

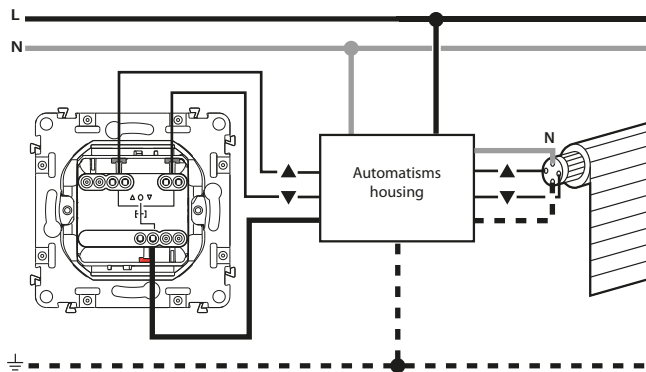
Type of terminals: automatics  
 Terminal capacity: 2 x 2.5 mm<sup>2</sup>  
 Stripping length: 13 mm  
 Flexible or rigid cables compatible

**4.1 Switch wiring (7 52x 29)**

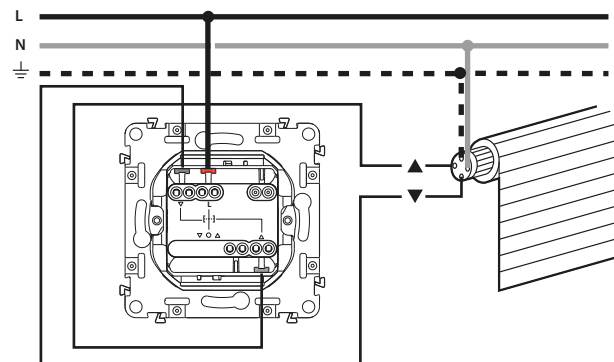


#### 4. CONNECTION (continued)

##### ■ 4.2 Push-button wiring (7 52x 30)



##### ■ 4.3 Push-button wiring (7 52x 20)



#### 5. TECHNICAL CHARACTERISTICS

##### ■ 5.1 Mechanical characteristics

Protection against solid bodies and liquids: IP 20  
Protection against impact: IK 04

##### ■ 5.2 Material characteristics

Polygloss appearance

Colour: - White RAL 9003

- Ivory RAL 1013

- Aluminium

Material: - Rocker: ABS

- Mechanism housing: PC

- Halogen free

- UV resistant

Material of the support: - PC grey RAL 7037 + Metal

- Halogen free

Self-extinguishing:

• 850° C / 30 s for insulating parts holding live parts in place

• 650° C / 30 s for other parts made of insulating materials

##### ■ 5.3 Electrical characteristics

Voltage: 250 V~

Current: 6 A

6 AX for Cat. Nos 7 52x 29

Frequency: 50/60 Hz

##### ■ 5.4 Climatic characteristics

Storage and use temperature: - 10° C to + 40° C

#### 6. MAINTENANCE

Surface cleaning with a cloth.

Do not use: acetone, tar remover, trichloroethylene.

Maintenance with the following products: Hexane (EN 60669-1), Methylated spirit, Soapy water, Diluted ammonia, Bleach diluted to 10%, Window-cleaning products.

**Caution:** A preliminary test should be carried out if other specific cleaning products are to be used.

#### 7. STANDARDS AND APPROVALS

Compliance with standards of installation and manufacturing.

Refer to e. catalogue.