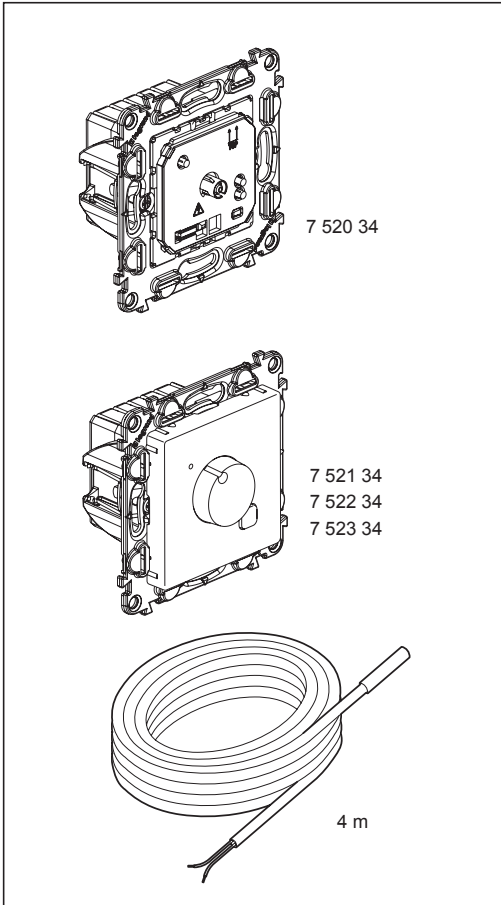


Valena™ INMATIC
7 520 34

Valena™ Life
7 521 34, 7 522 34, 7 523 34



| | | | |
|------------------|---------------|------------------------------|------|
| | | | ΔK |
| - 10°C ... +70°C | 0°C ... +40°C | 1 ... 6 (10°C...60°C) | ± 2K |

| | | |
|--------|---------------------------|-----------------------|
| | | |
| ≤ 20 m | 250 V~ 16 A, cos φ = 1 | 6 mm 1,5 ... 4 mm² |

