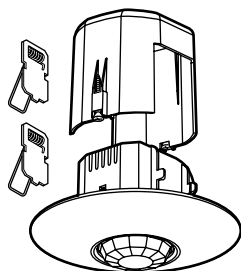


PIR detector switch

Catalogue number(s): 0 488 03/99



CONTENTS

Page

1. Use.....	1
2. Technical characteristics.....	1
3. Overall dimensions.....	2
4. Connection.....	2
5. Installation.....	3
6. Disassembly.....	3
7. Settings.....	3
8. Performance.....	3
9. Cleaning.....	4
10. Standards.....	4

1. USE

This device automatically controls a light source by detecting movement in its supervision zone.

360° detection angle motion detector.

Detection type: infra-red

Mounting: ceiling

2. TECHNICAL CHARACTERISTICS

Voltage: 230 V~

Frequency: 50 / 60 Hz

No-load power consumption: 0.7W

Output by normally open contact connected to phase

Cabling: 2 x 2.5 mm² automatic terminals

Flush-mounting diameter: 65 mm without flush-mounting box,
68 mm with flush-mounting box

Weight: 115 g

Impact resistance: IK04

Penetration by solid bodies and liquids: IP41

Operating temperature: -5°C to +45°C

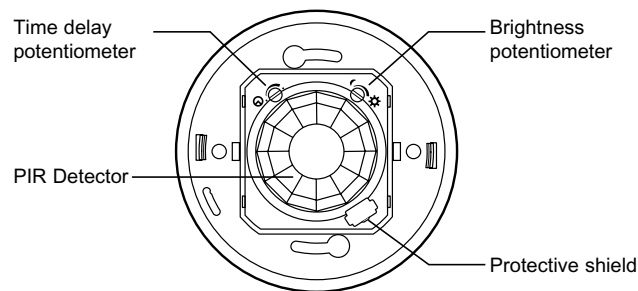
Storage temperature: -20°C to +70°C

2. TECHNICAL CHARACTERISTICS (continued)

Products approved for 40,000 operations

Mains zero breaking: in order to limit the effect of induced currents on cut-off relays by fluorescent loads in particular, this sensor breaks the voltage at mains zero. Switching occurs when the voltage is at point 0 which ensures a longer life for sources and for the sensor.

Cover removed

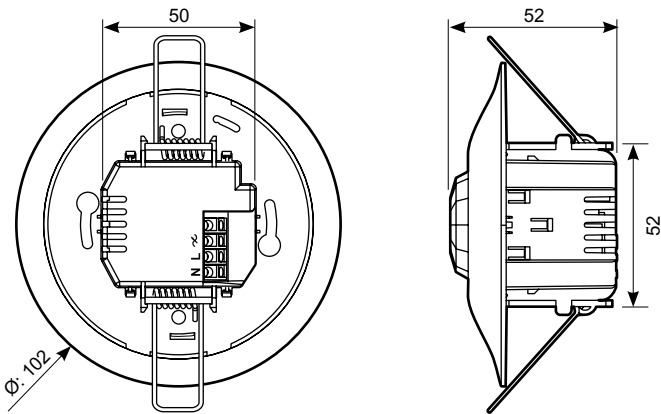


①	②	③	④	⑤	⑥	⑦	⑧									
230 V~	2000 W	8,5 A	1000 VA	4,3 A	1000 VA	4,3 A	10x(2x36 W)	4,3 A	250 W	1 A	250 W	1 A	250 W	1 A	500 VA	2,1 A

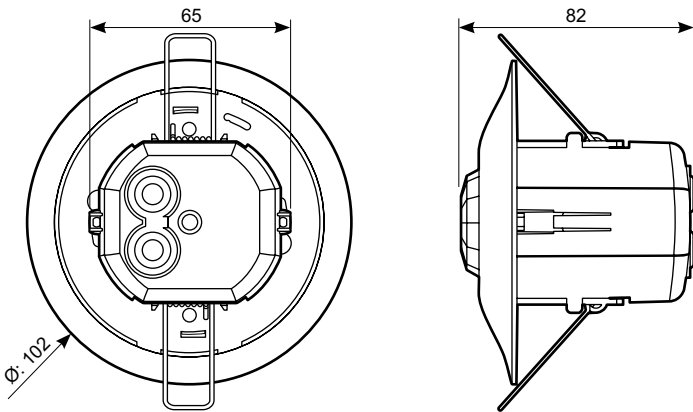
- ① Halogen lamp
- ② Halogen lamp TBT, fluocompact and Fluorescent with separate electronic ballast
- ③ Lampes halogènes TBT, fluocompact and Fluorescent with separate ferromagnetic ballast
- ④ Fluorescent tubes
- ⑤ Compact fluorescent lamp with integrated electronic ballast
- ⑥ Compact fluorescent lamp with integrated ferromagnetic ballast
- ⑦ LED lamp
- ⑧ Contactors

3. OVERALL DIMENSIONS

Without protective cover



With protective cover



4. CONNECTION

Number of terminals: 4

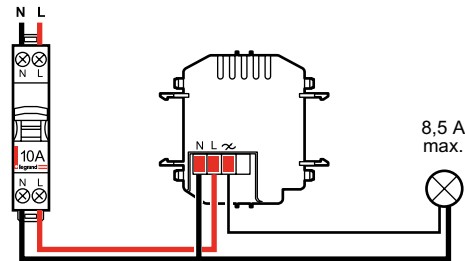
Terminal type: automatic

Terminal capacity: 2 x 2.5 mm²

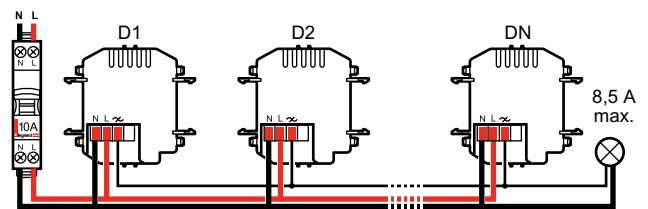
Stripping length: 8 mm

The load will be switched on and off automatically.

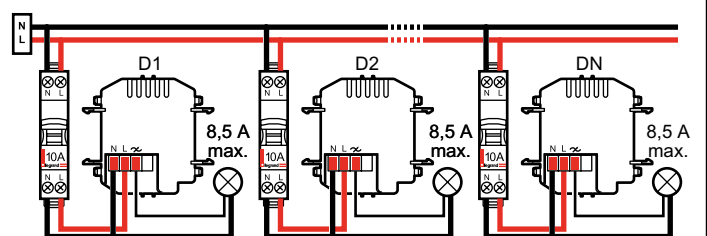
4.1 Wiring without auxiliary control



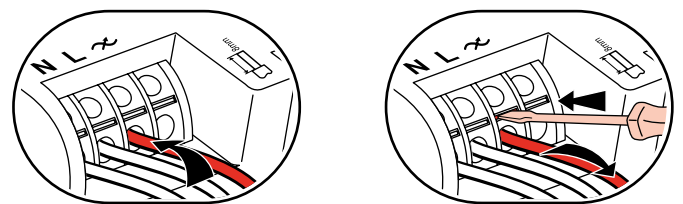
4.2 Wiring for a single load connected in parallel



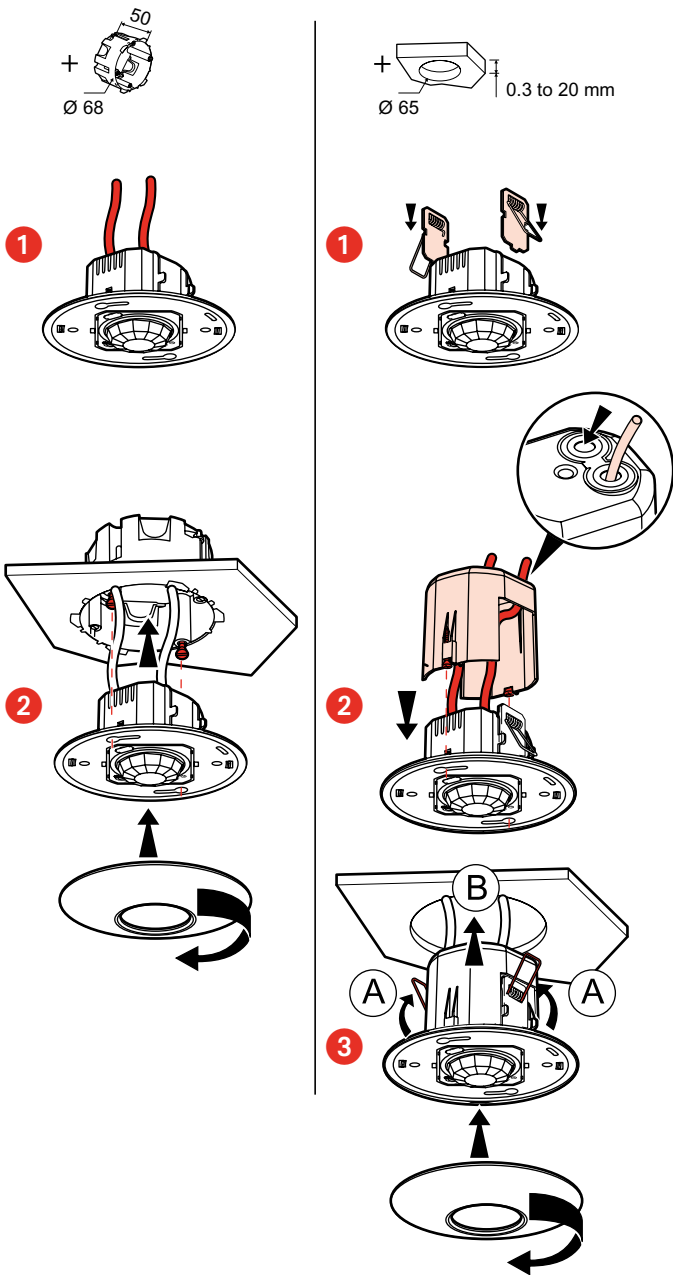
4.3 Wiring for several loads connected in parallel



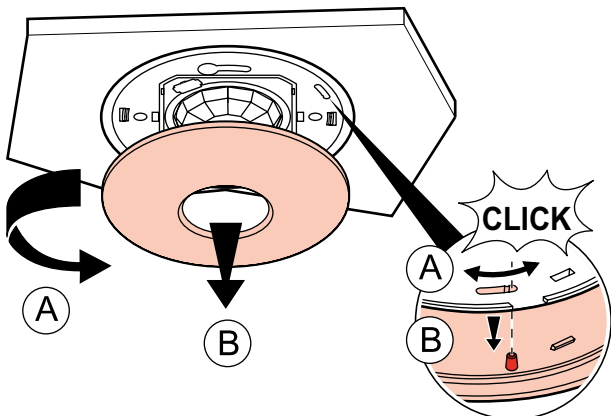
Wiring



5. INSTALLATION



6. DISASSEMBLY



7. SETTINGS

- Parameters:

Sensor parameters	Default value	Modifiable parameters using potentiometer
Time delay	5s	5s - 30min
Daylight setpoint	1000 lux	1 - 1000 lux
Auto on/Auto off mode	Active	Non modifiable

Time delay: Time for which light is switched on following detection.

Sensitivity: Detector range setting.

Daylight setpoint: Daylight setpoint value below which the light is switched on and above which the light is switched off.

Auto on/Auto off mode:

The light is switched on automatically:

- When presence is detected, if the natural brightness is too low.

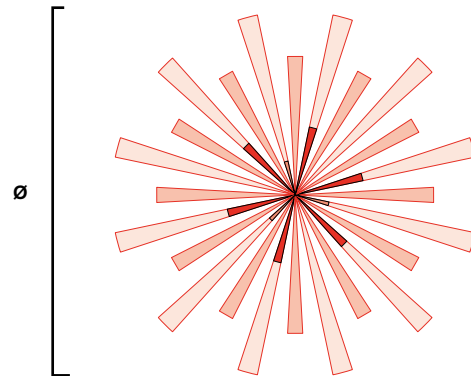
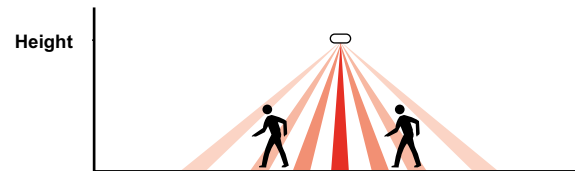
The light is switched off automatically:

- Where no presence is detected and at the end of the time delay set.

- Or if there is a sufficient level of natural light (activated setting).

Any new detection causes an automatic switch on if there is insufficient light.

8. PERFORMANCE



	Ø (m)	Surface area (m ²)
Height (m)	2.5	8
	3	11.5
	4	14
	5	16.5
	6	12.5

Note: All technical information is available at

 www.legrandoc.com

9. CLEANING

Ensure the lens remains clean.

Surface cleaning using a cloth.

Do not use: acetone, tar remover, trichloroethylene.

Resistant to the following products: - Hexane (EN 60669-1),

- Methylated spirit,
- Soapy water,
- Diluted ammonia
- Bleach diluted to 10%,
- Window cleaning products.

WARNING: Conduct preliminary tests before using any other specific cleaning products.

10. STANDARDS

Directive: CE

Installation standards: NFC 15-100

Product standards: IEC 60669-2-1

Environmental standards:

- European Directive 2002/96/EC:
WEEE (Waste Electrical and Electronic Equipment).
- European Directive 2002/95/EC:
RoHS (Restriction of Hazardous Substances).
- Decrees and/or regulations: ERP (public buildings)
ERT (professional buildings)
IGH (high-rise buildings)